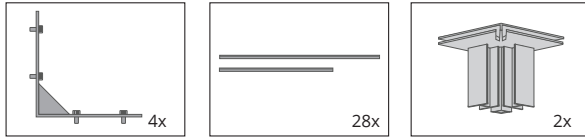


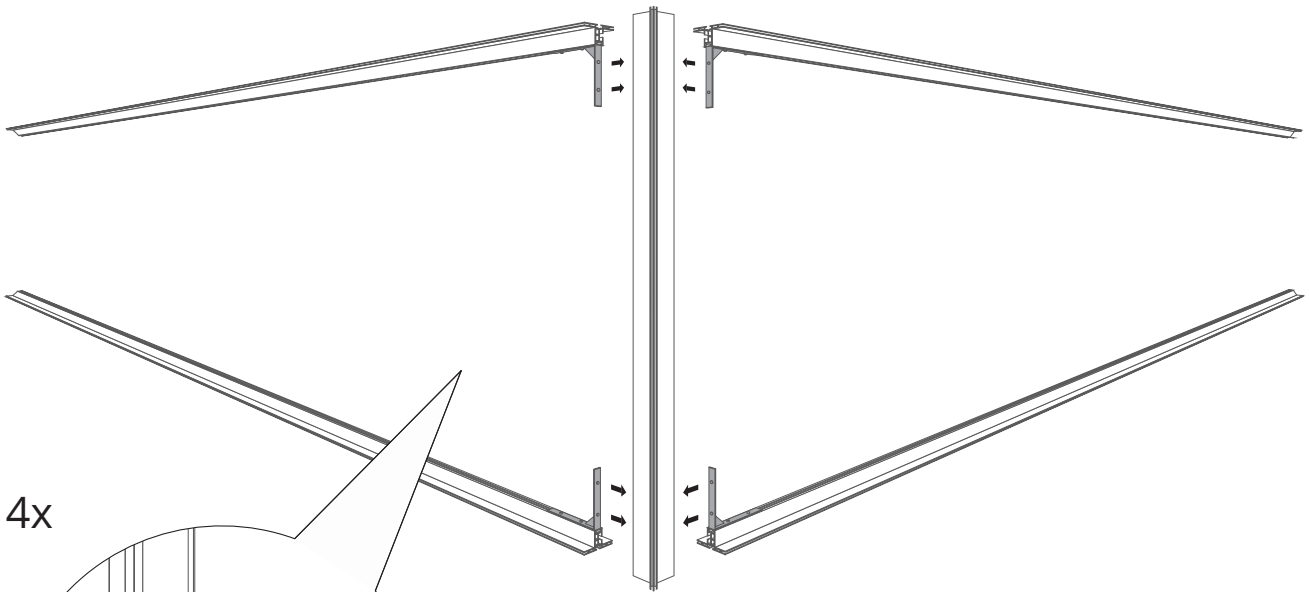
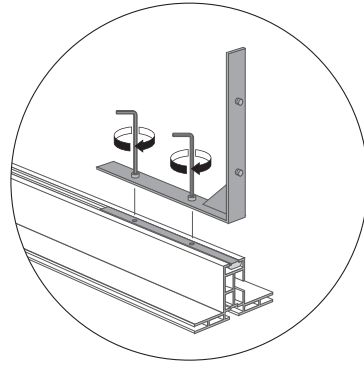
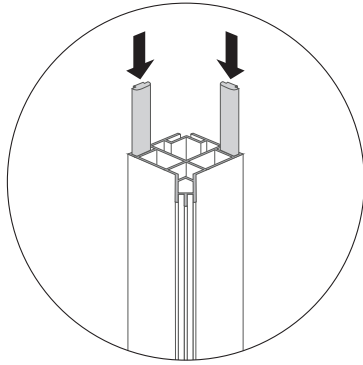
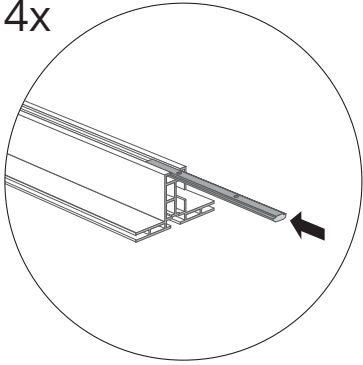
1



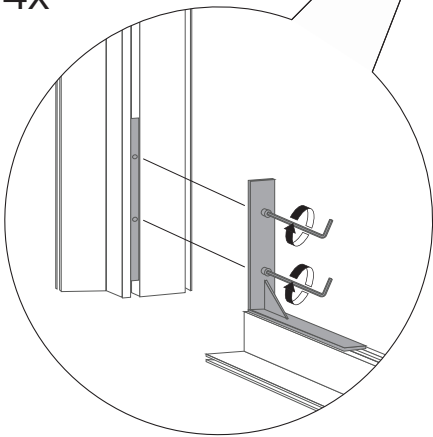
L-FORMATION F80

INSTALLING THE CORNERS

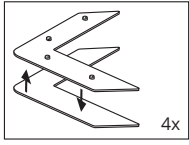
4x



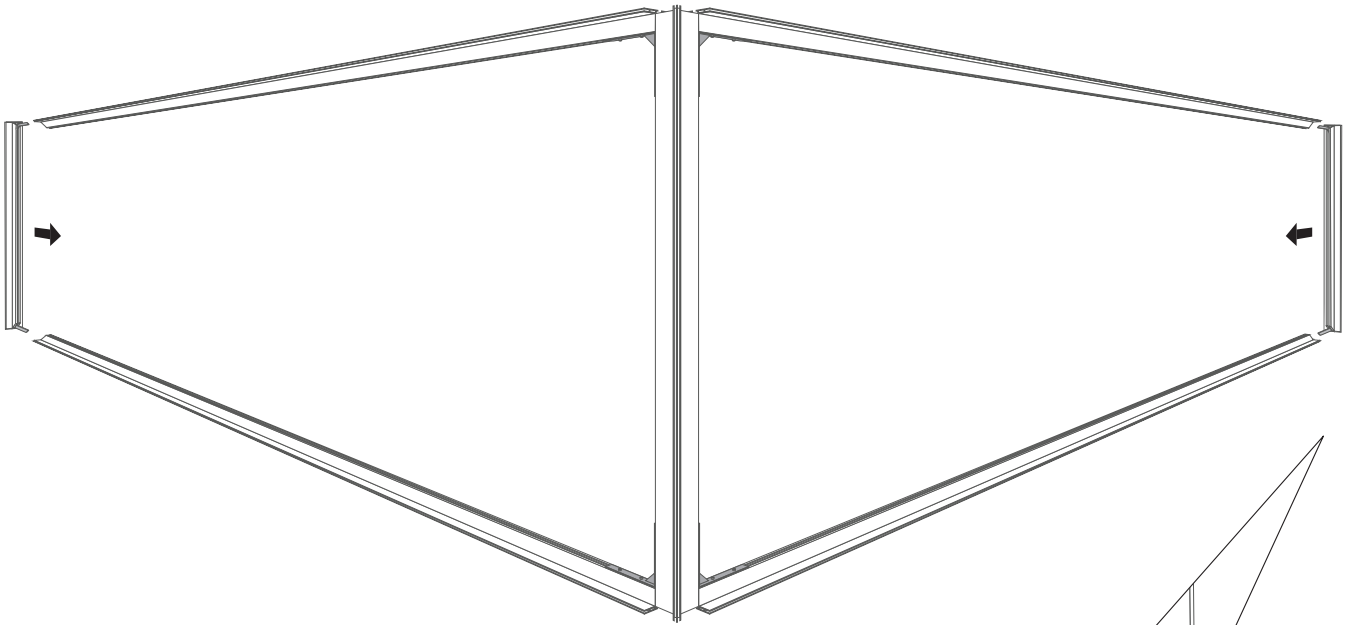
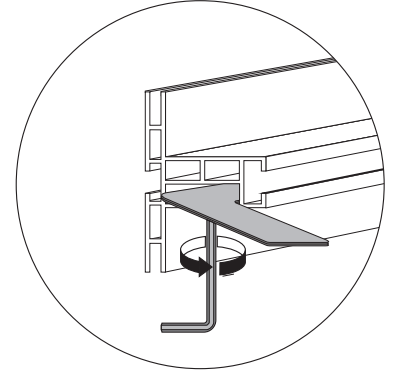
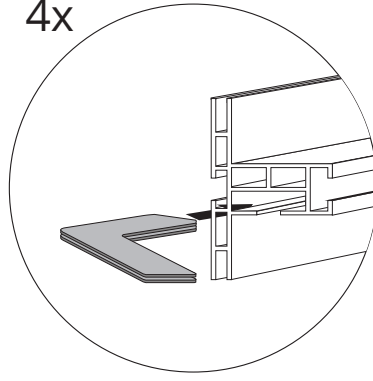
4x



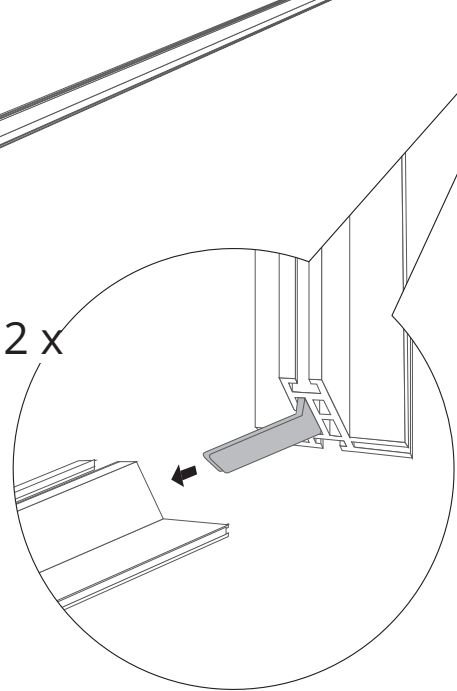
2



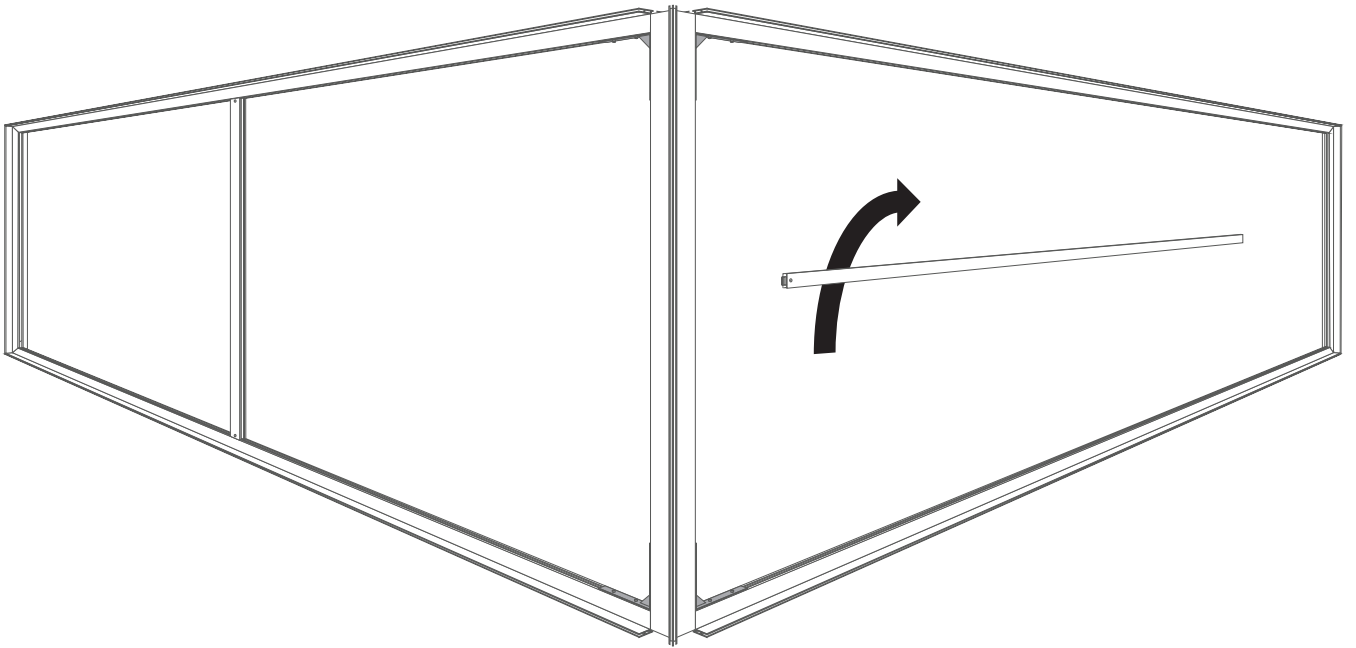
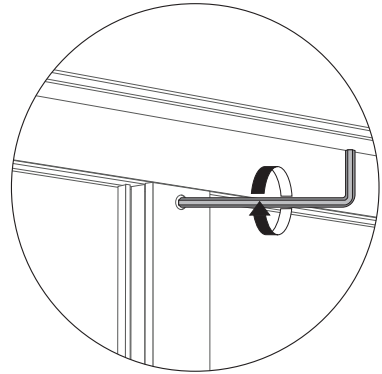
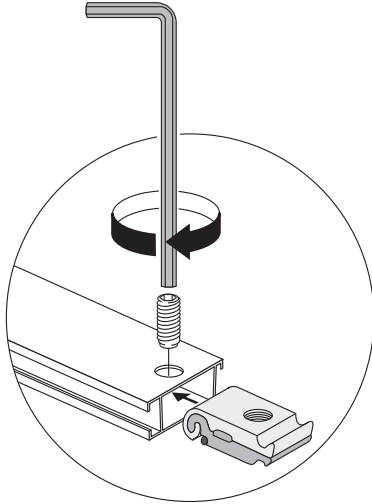
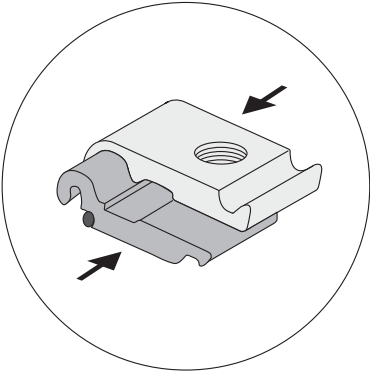
4x



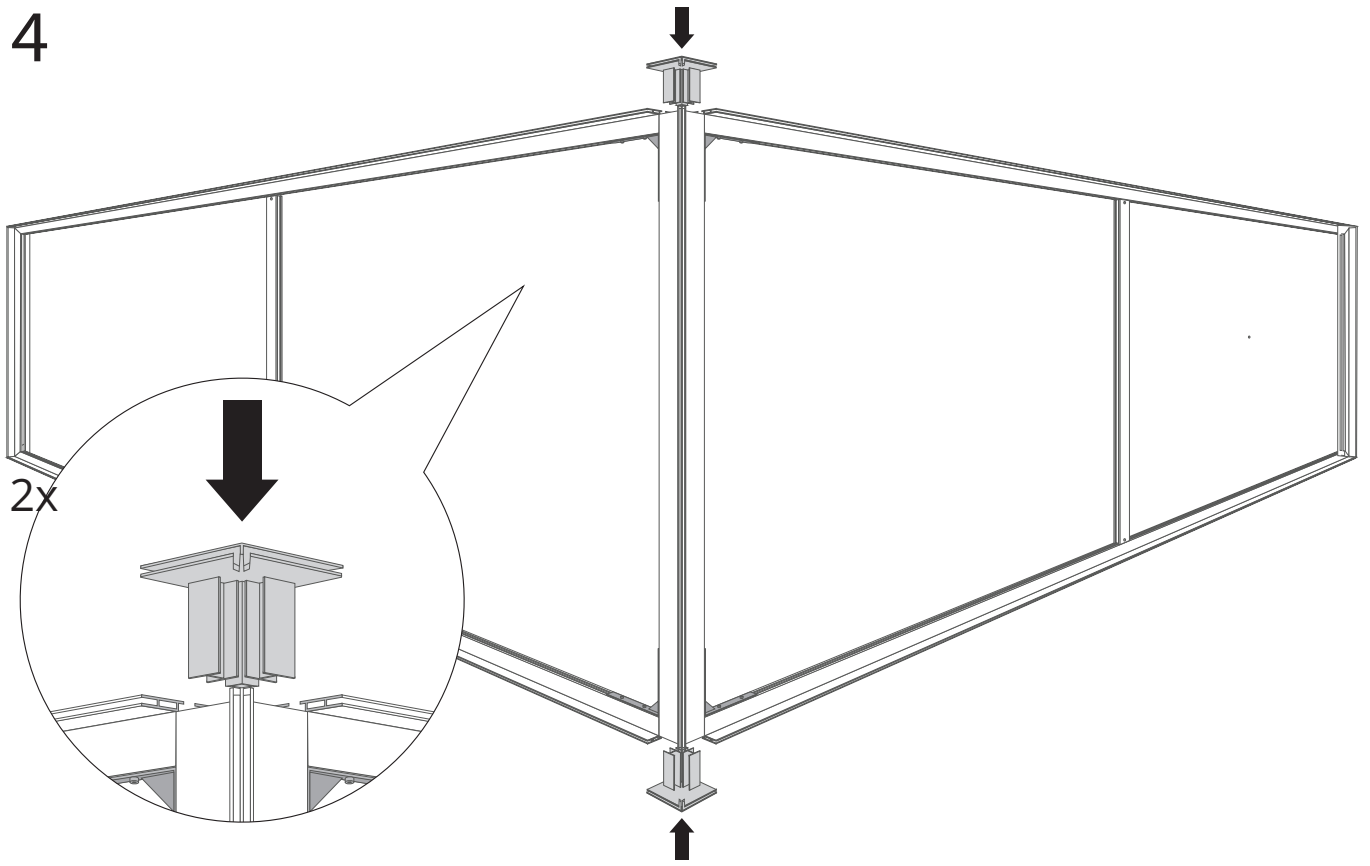
2 x



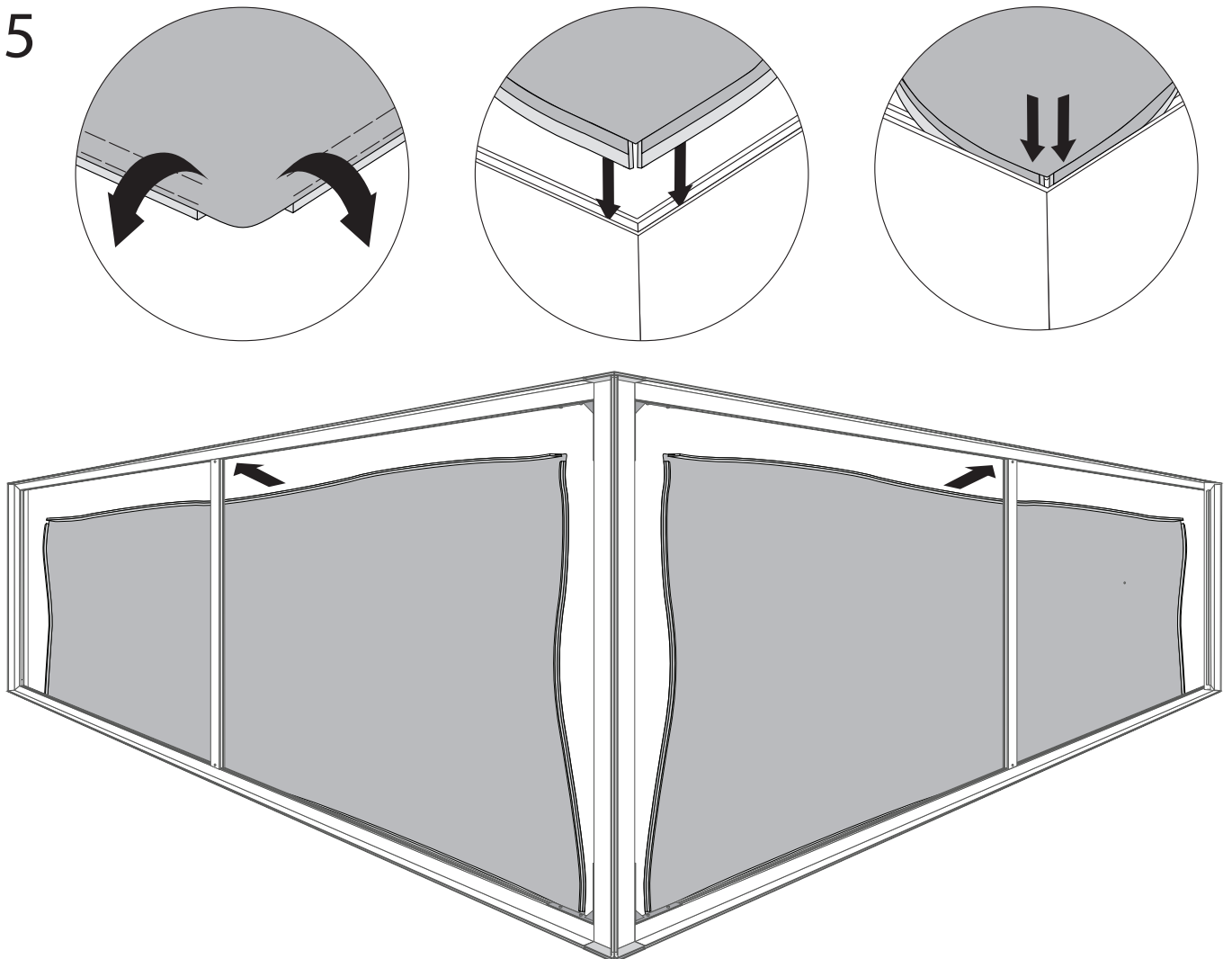
3



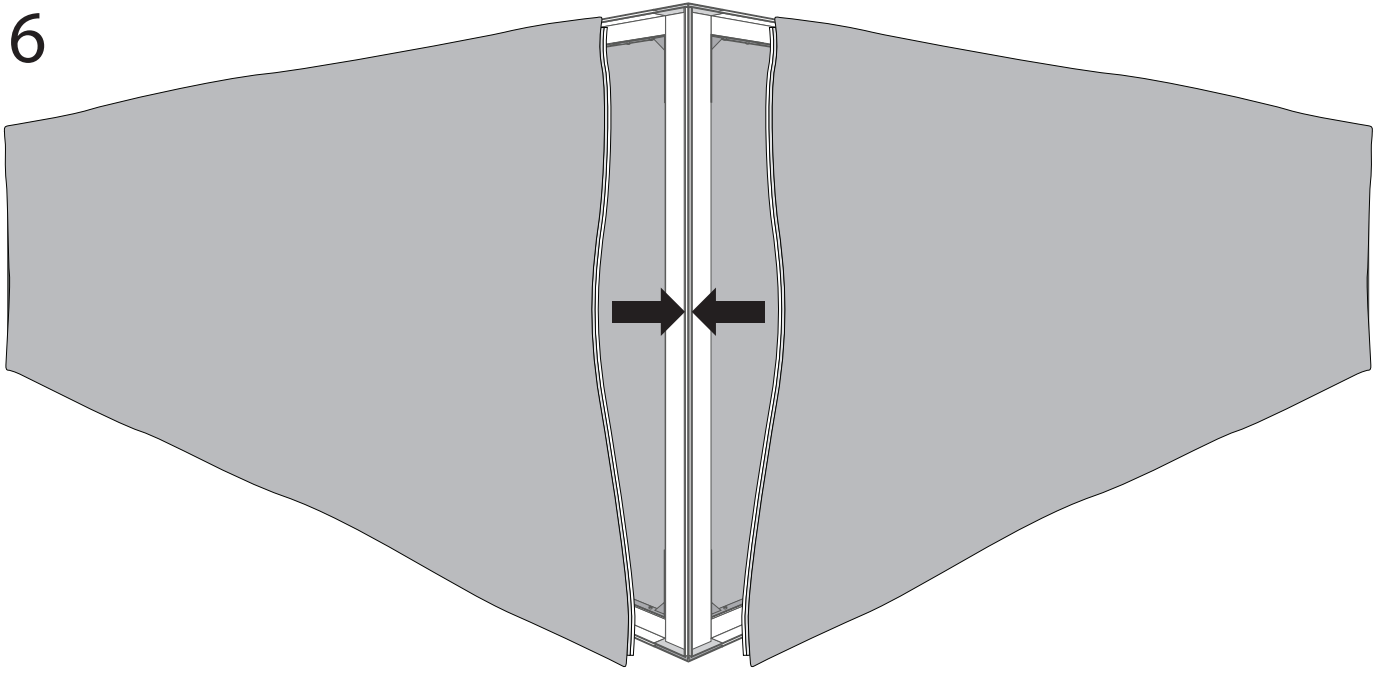
4



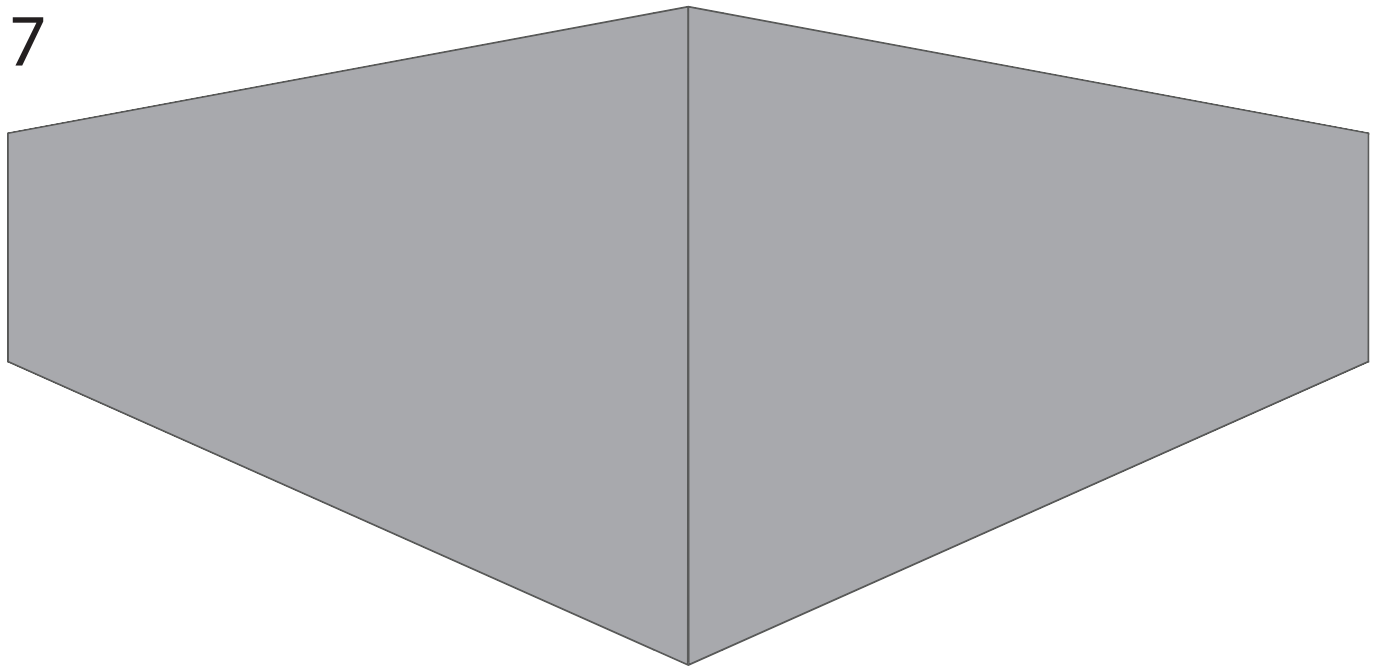
5



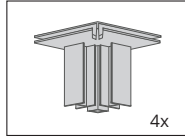
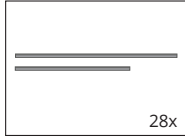
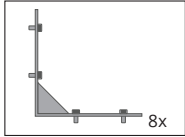
6



7



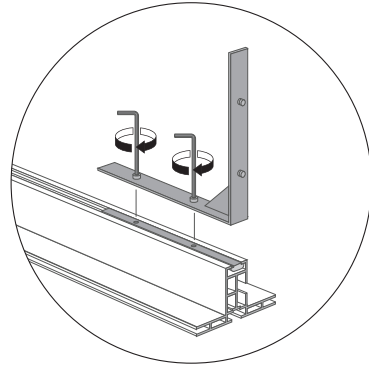
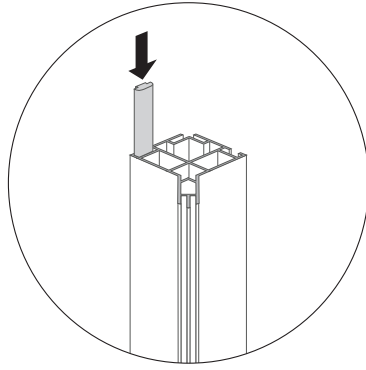
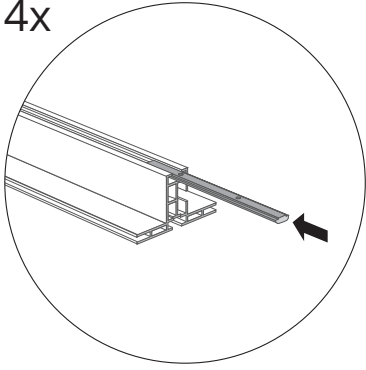
1



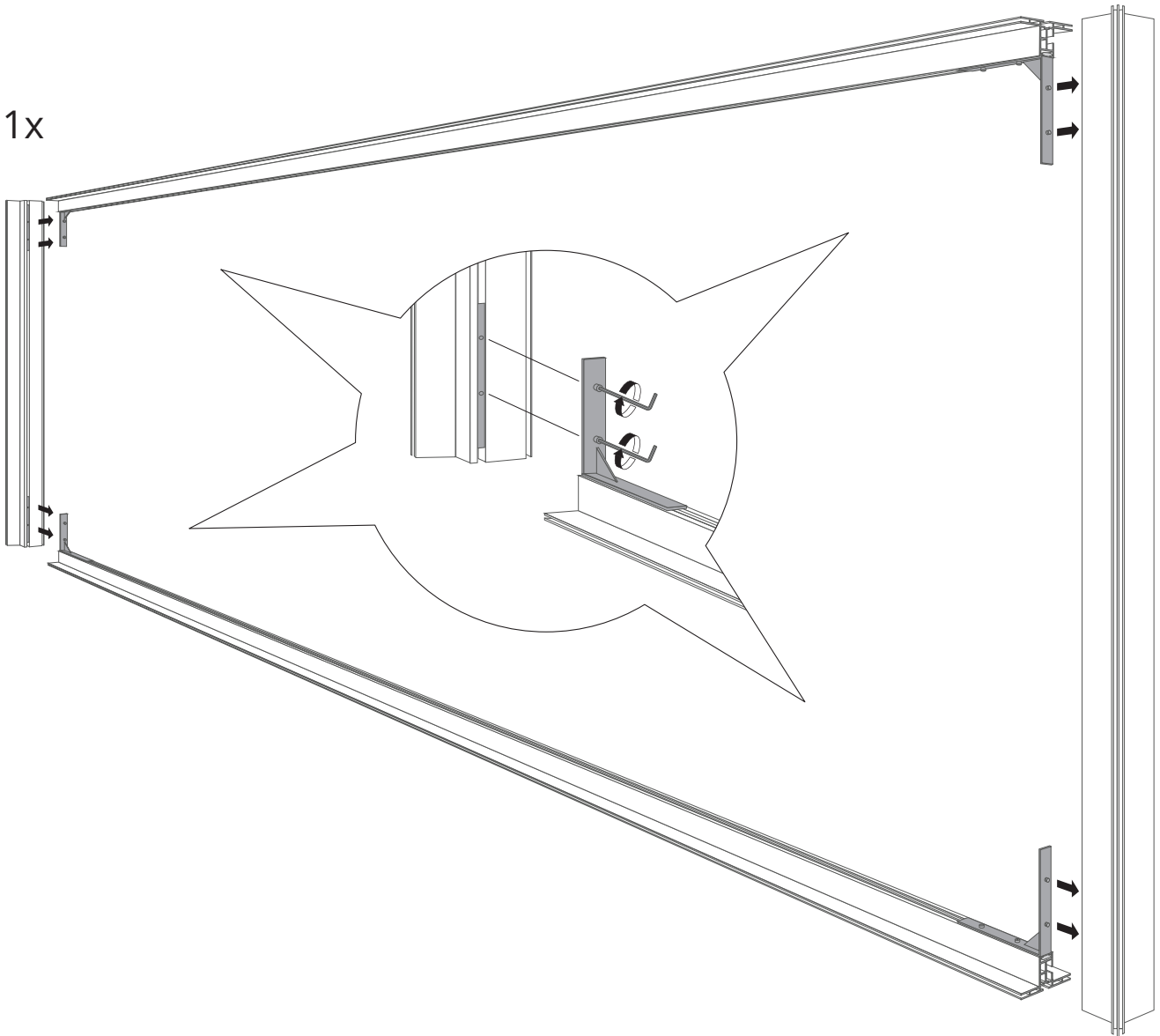
O-FORMATION F80

INSTALLING THE CORNERS

4x

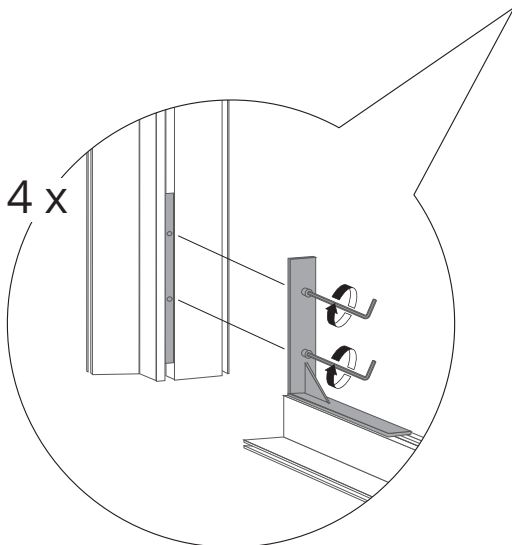
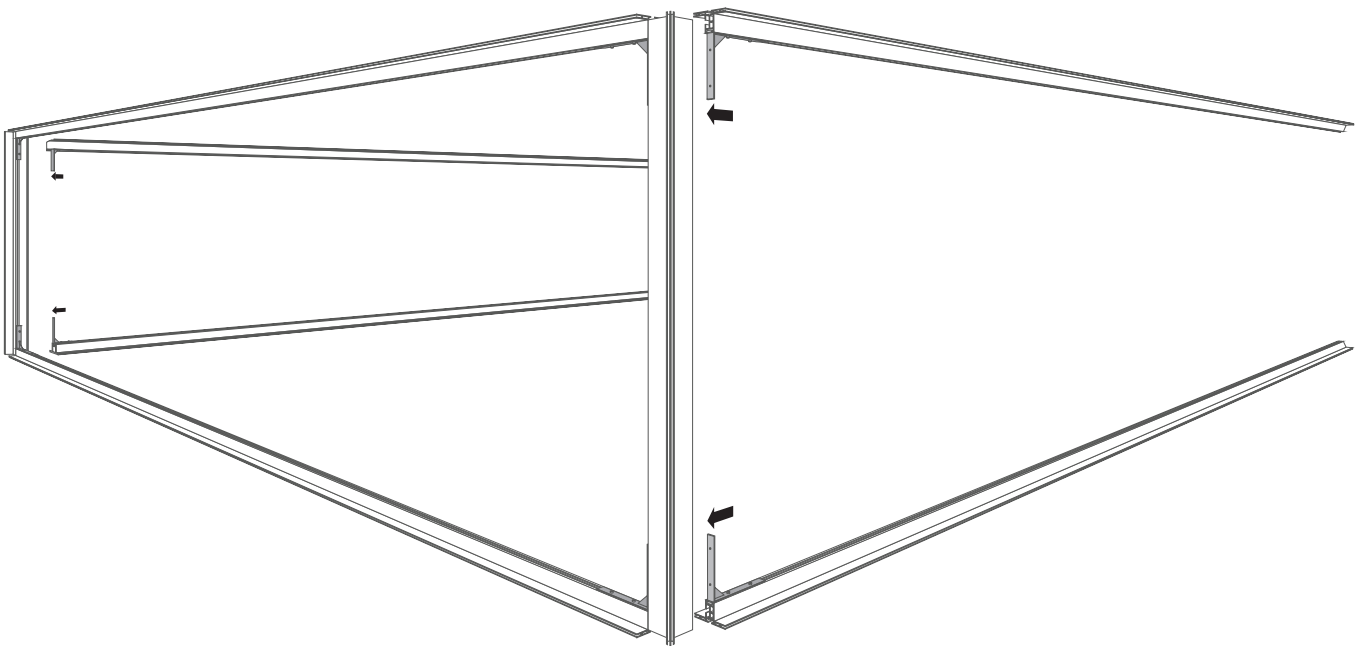
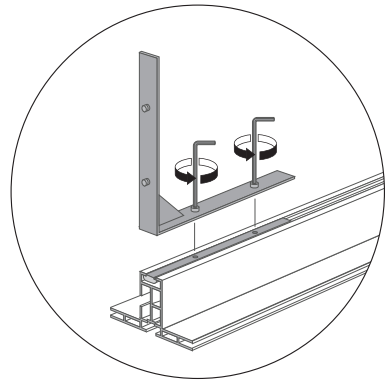
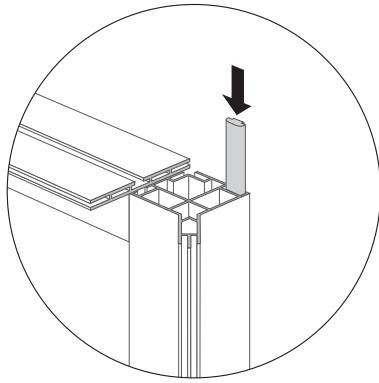
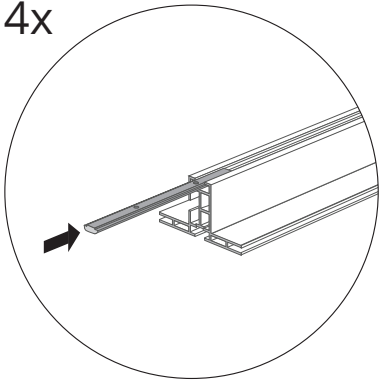


1x

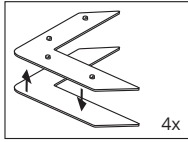


2

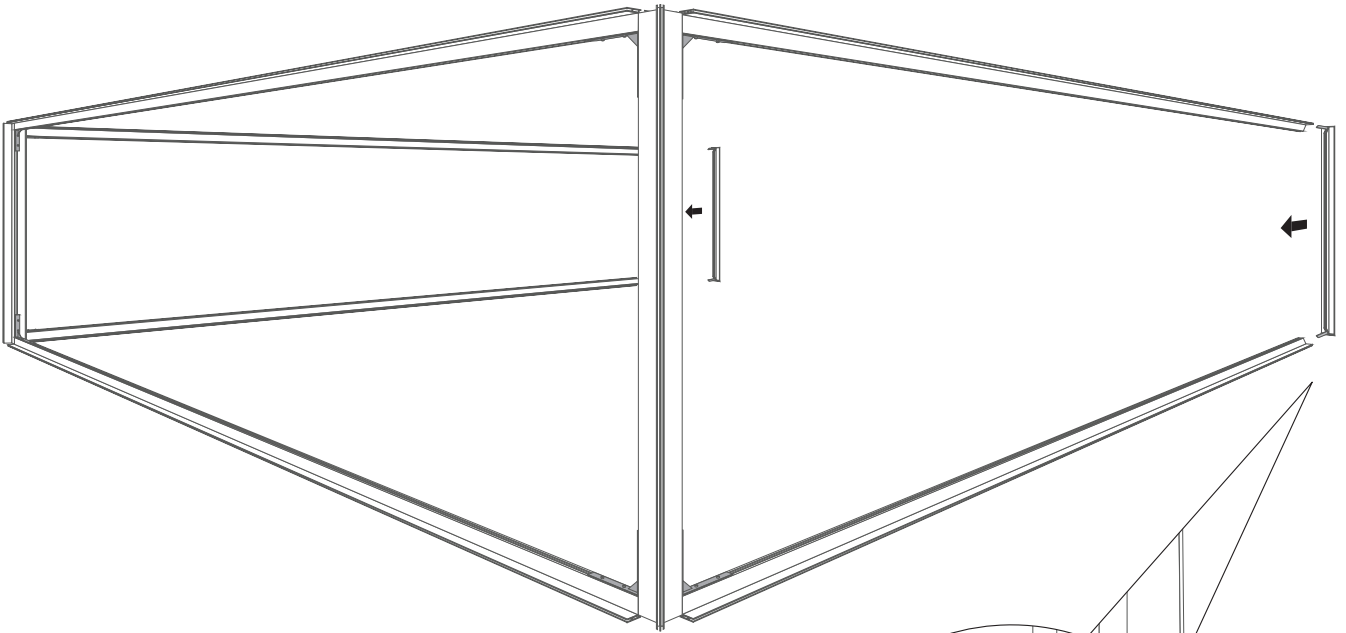
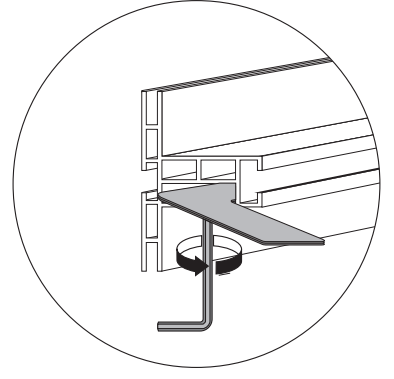
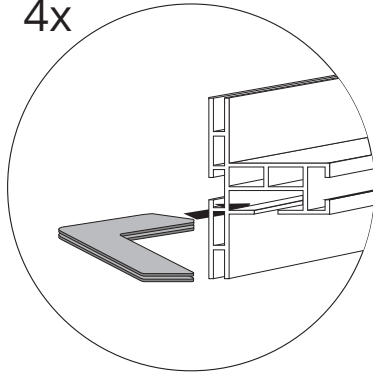
4x



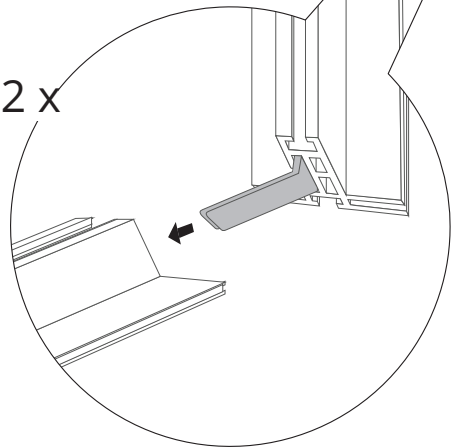
3



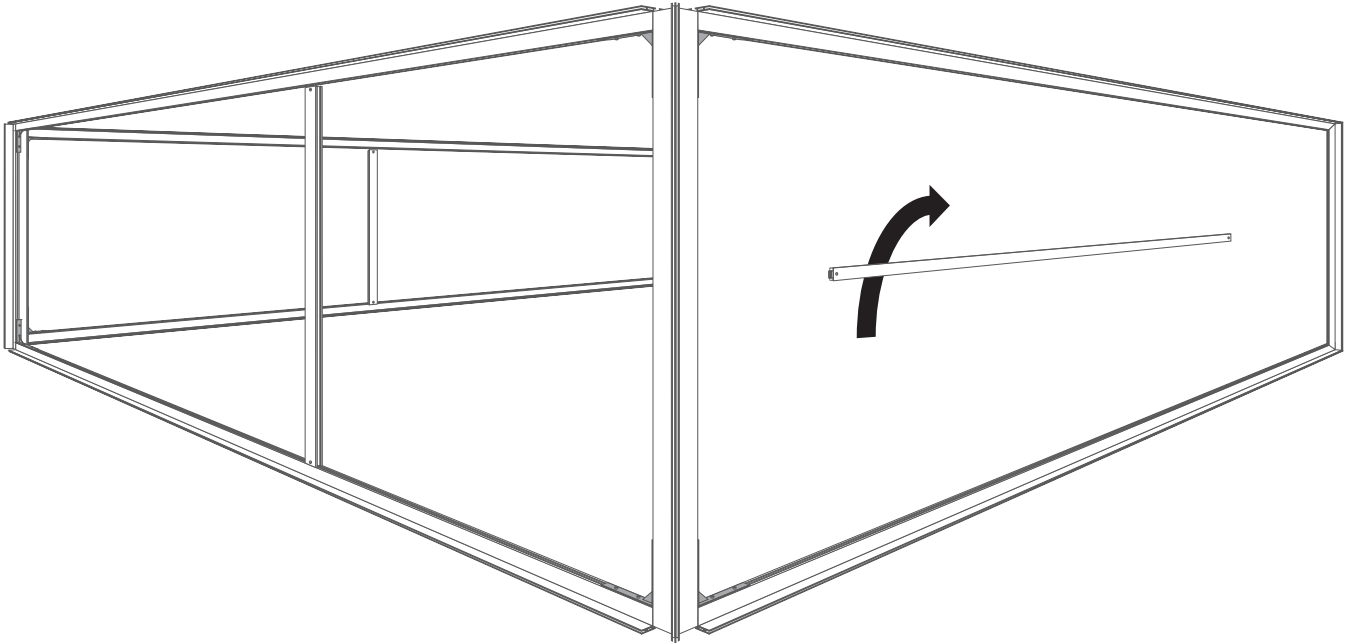
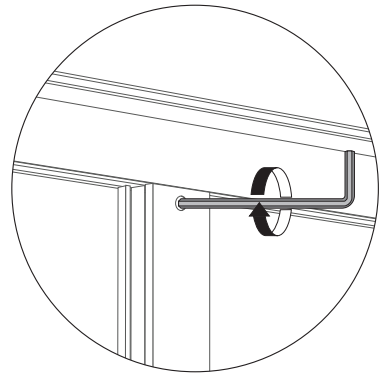
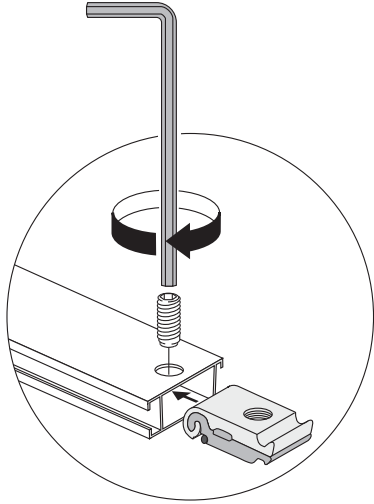
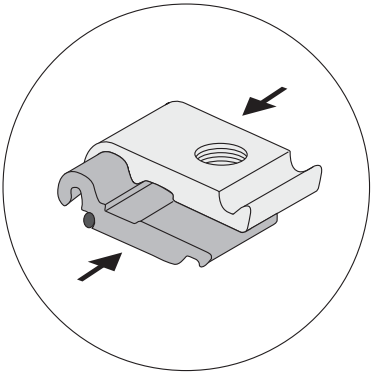
4x



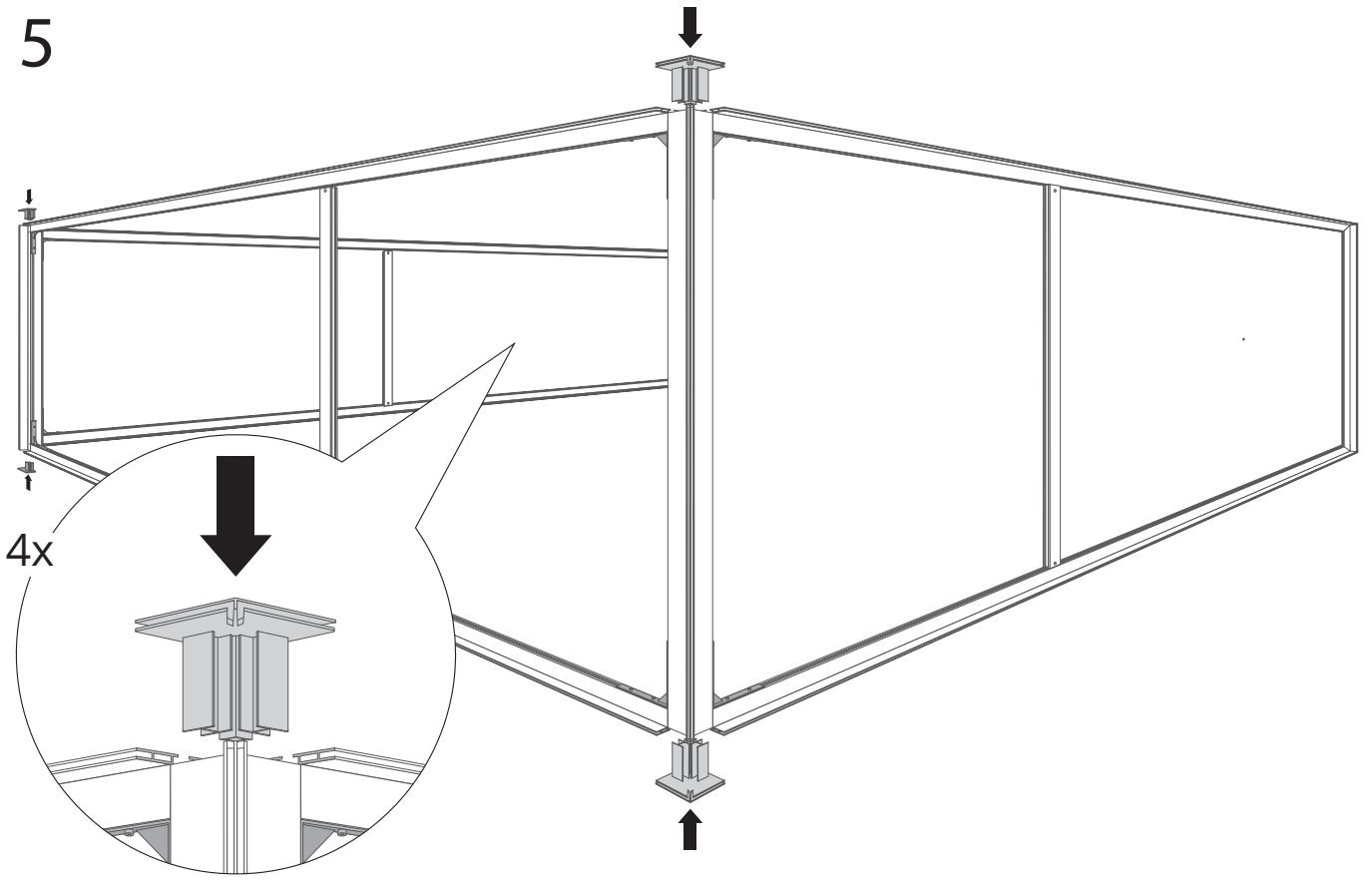
2x



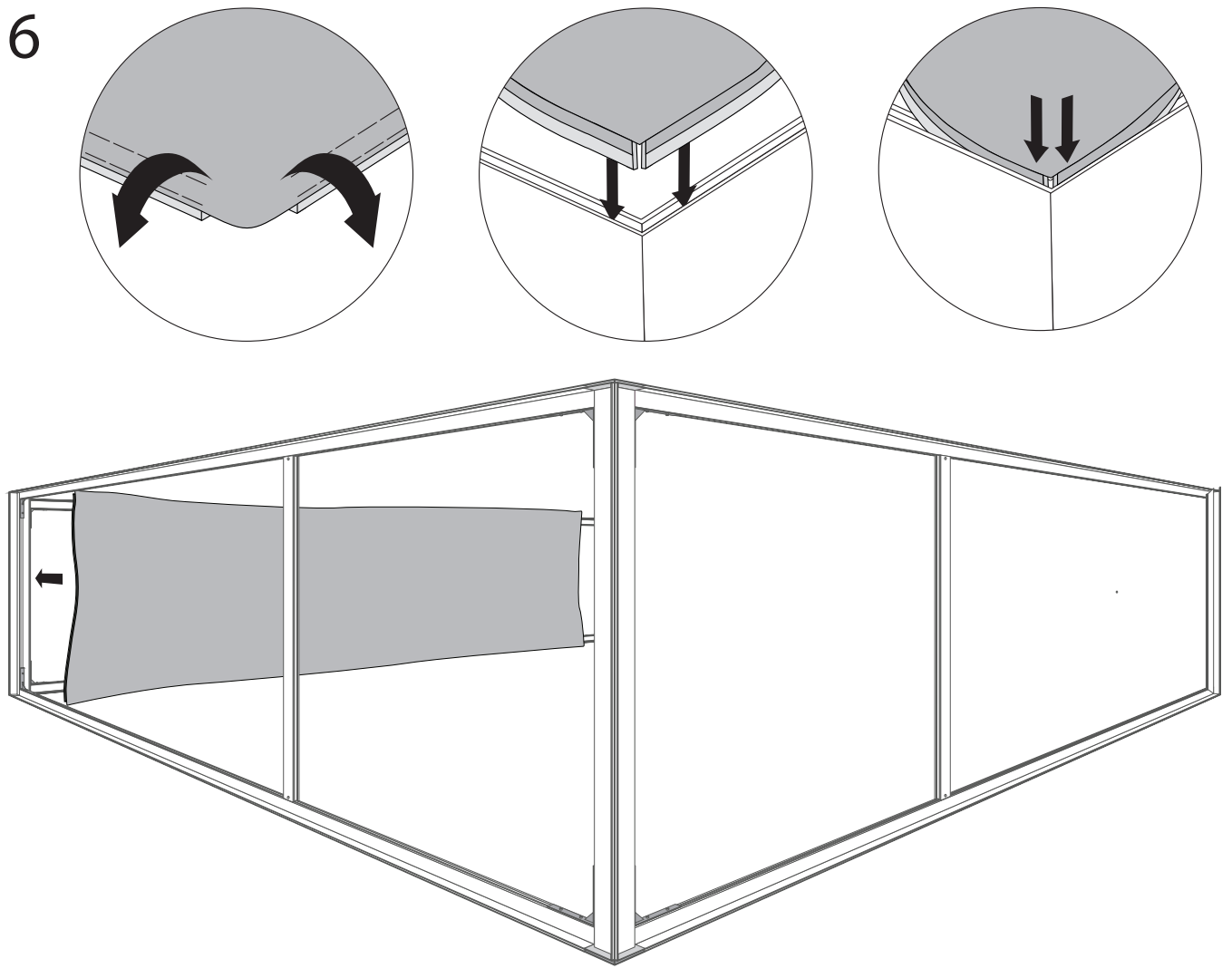
4



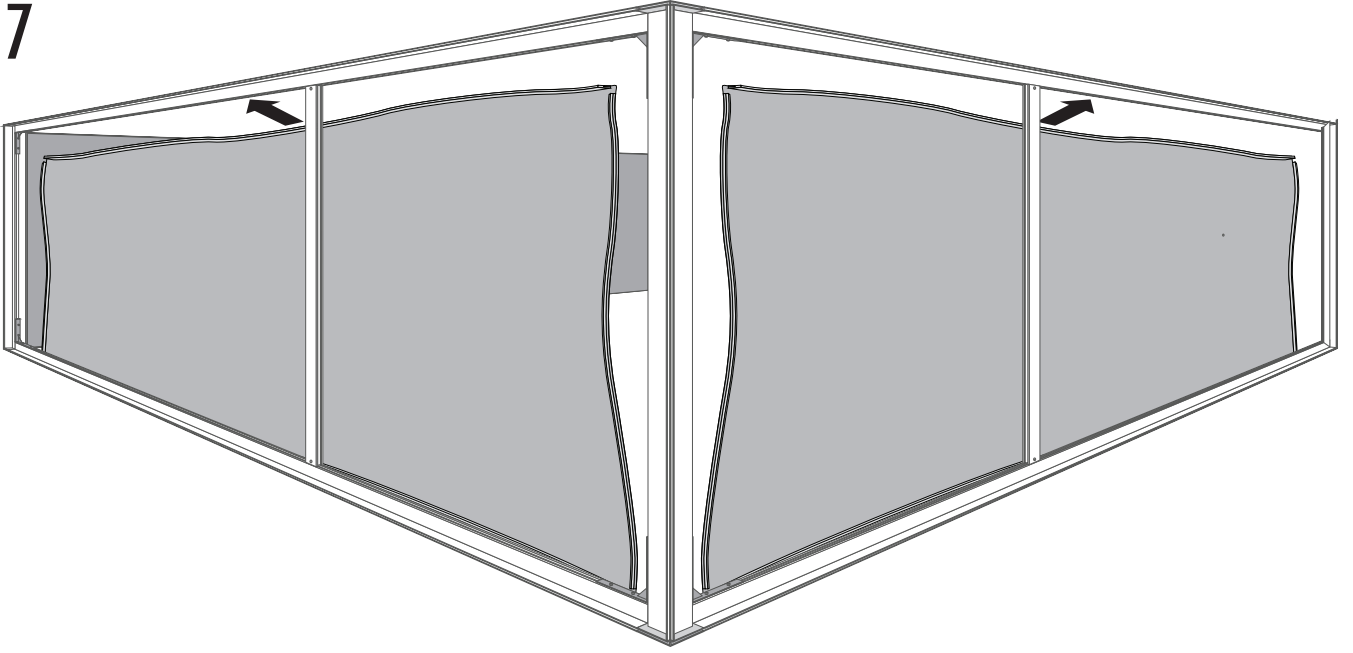
5



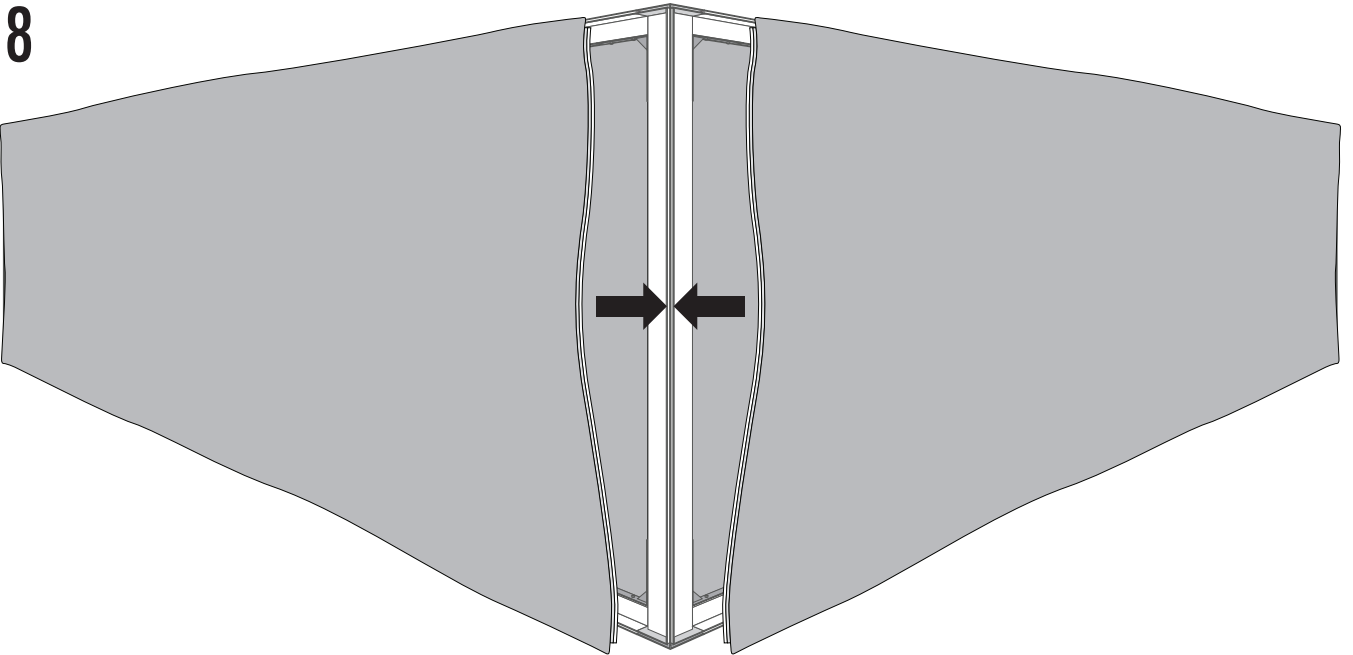
6



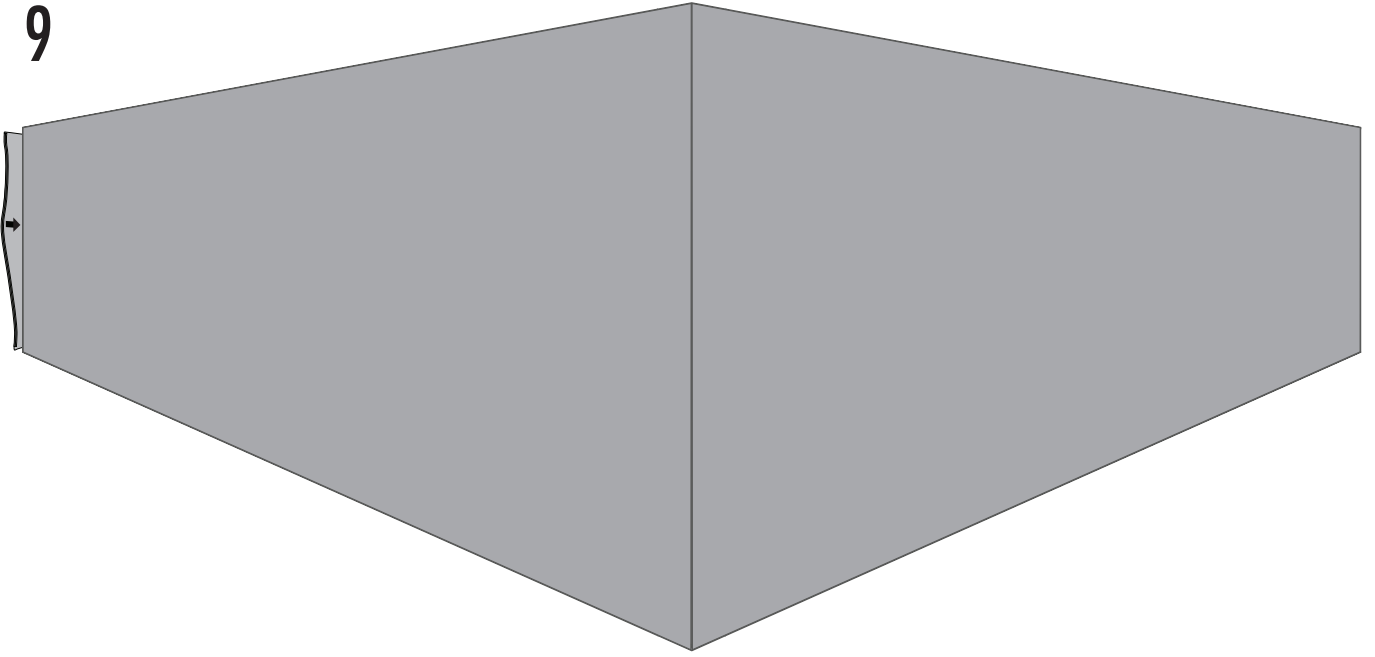
7



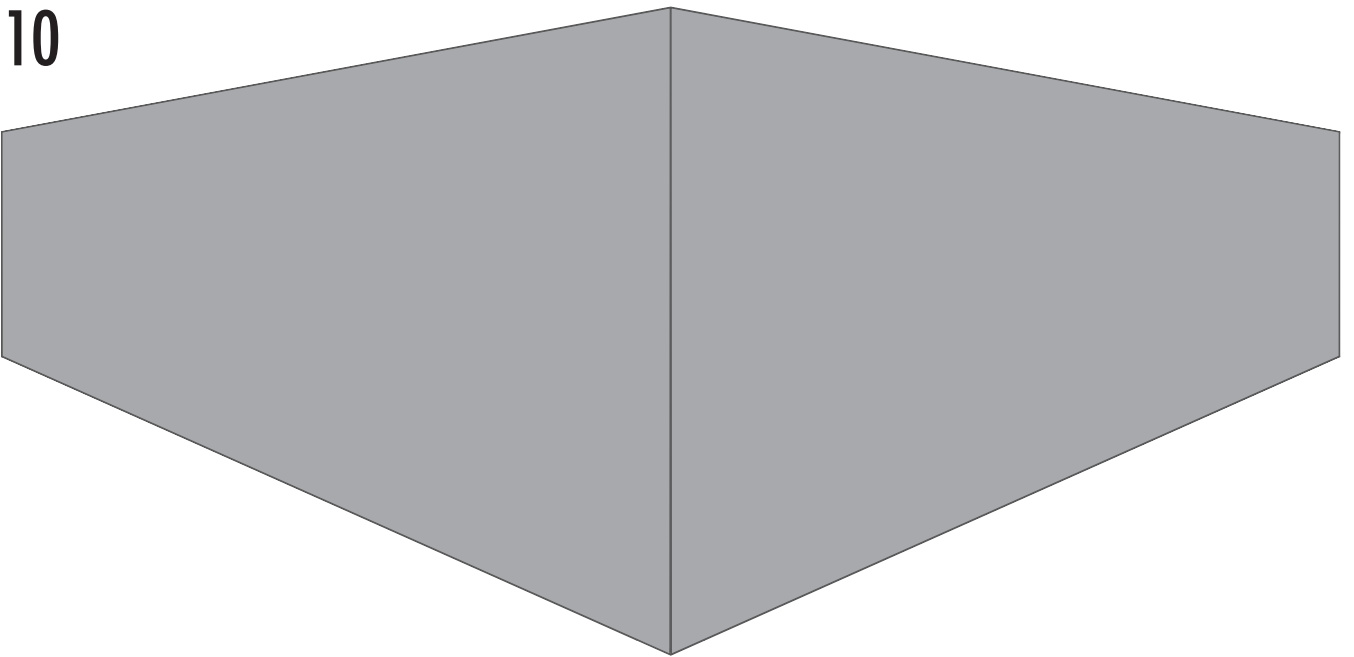
8



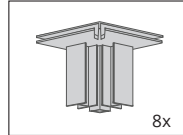
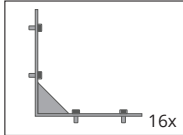
9



10

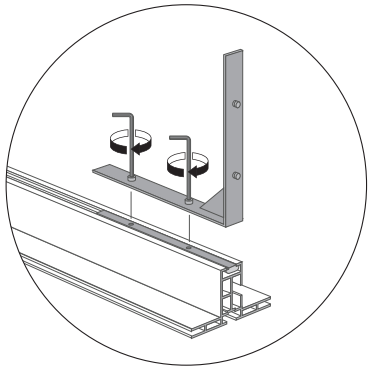
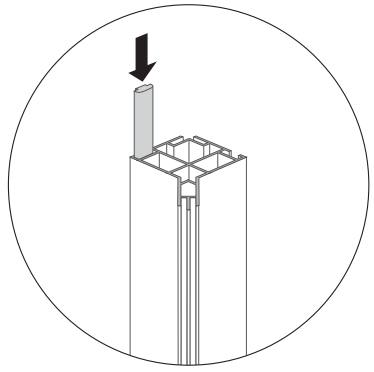
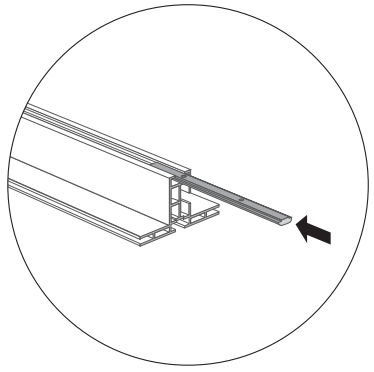


1

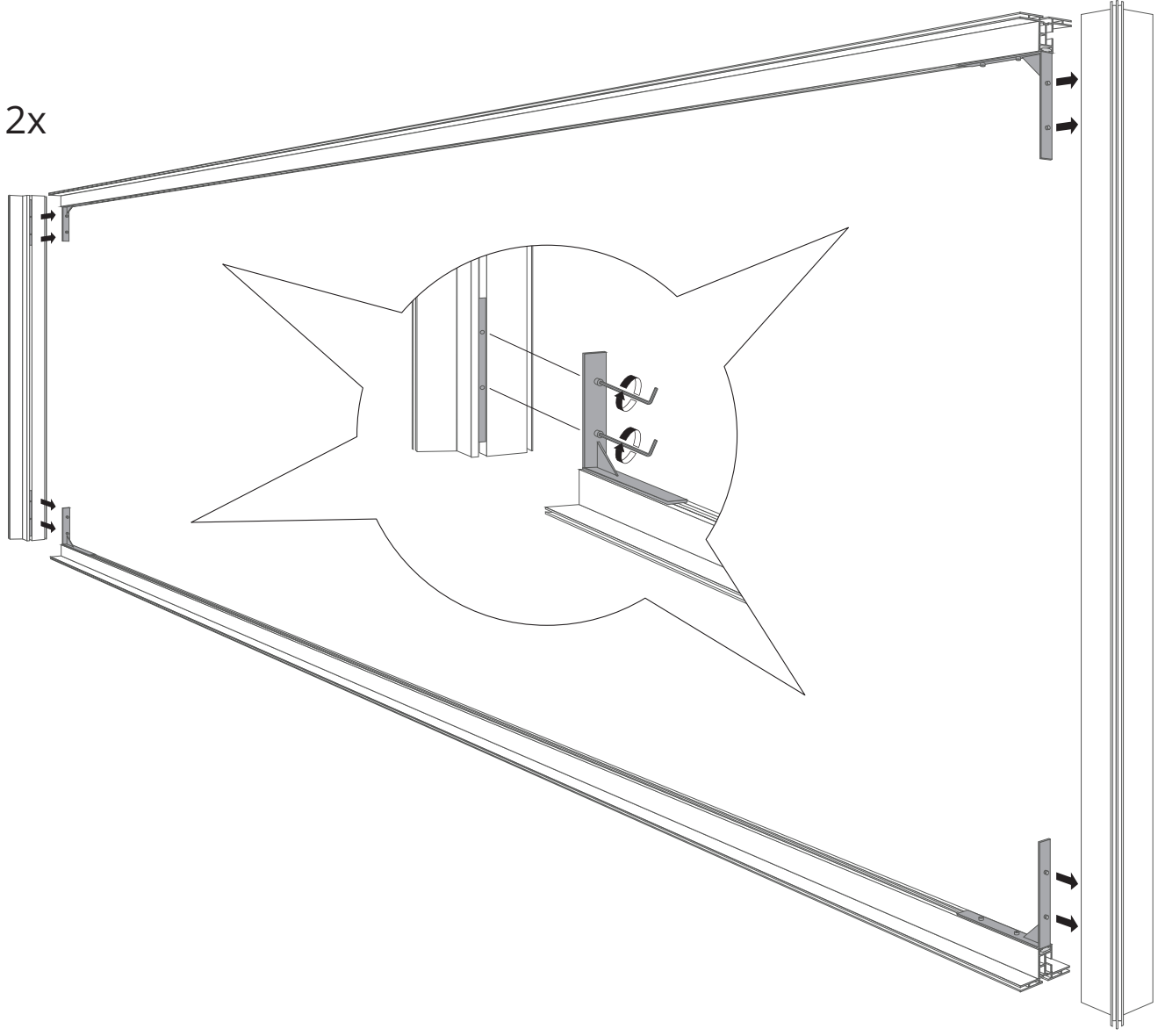


U-FORMATION F80

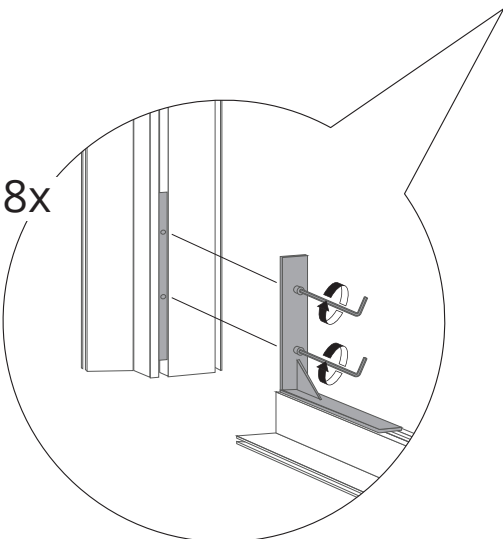
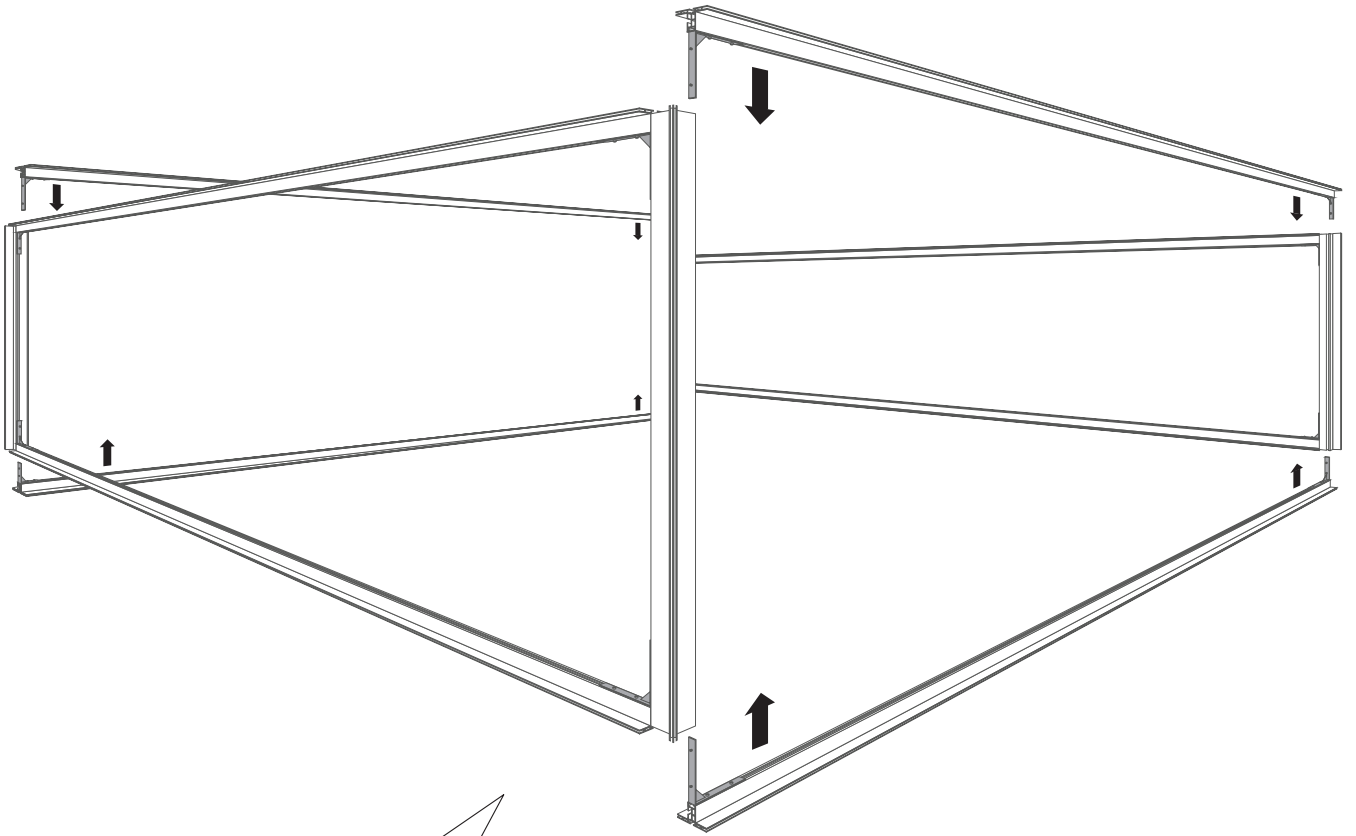
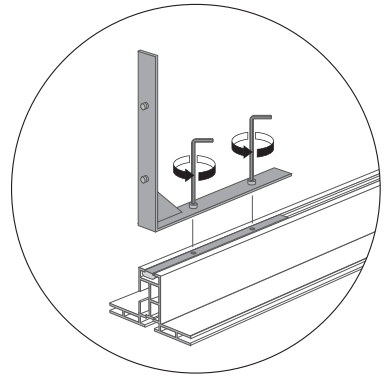
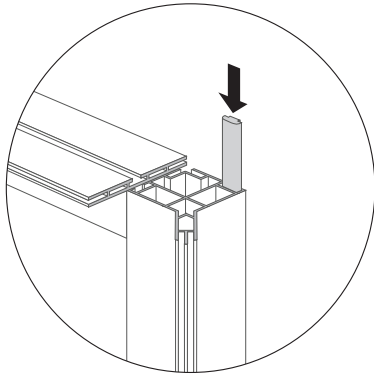
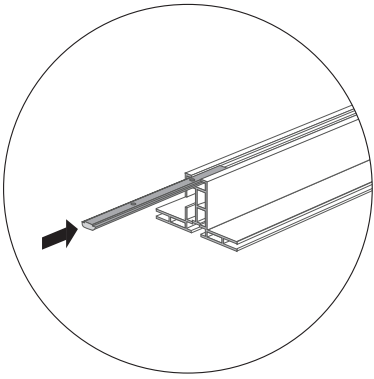
INSTALLING THE CORNERS



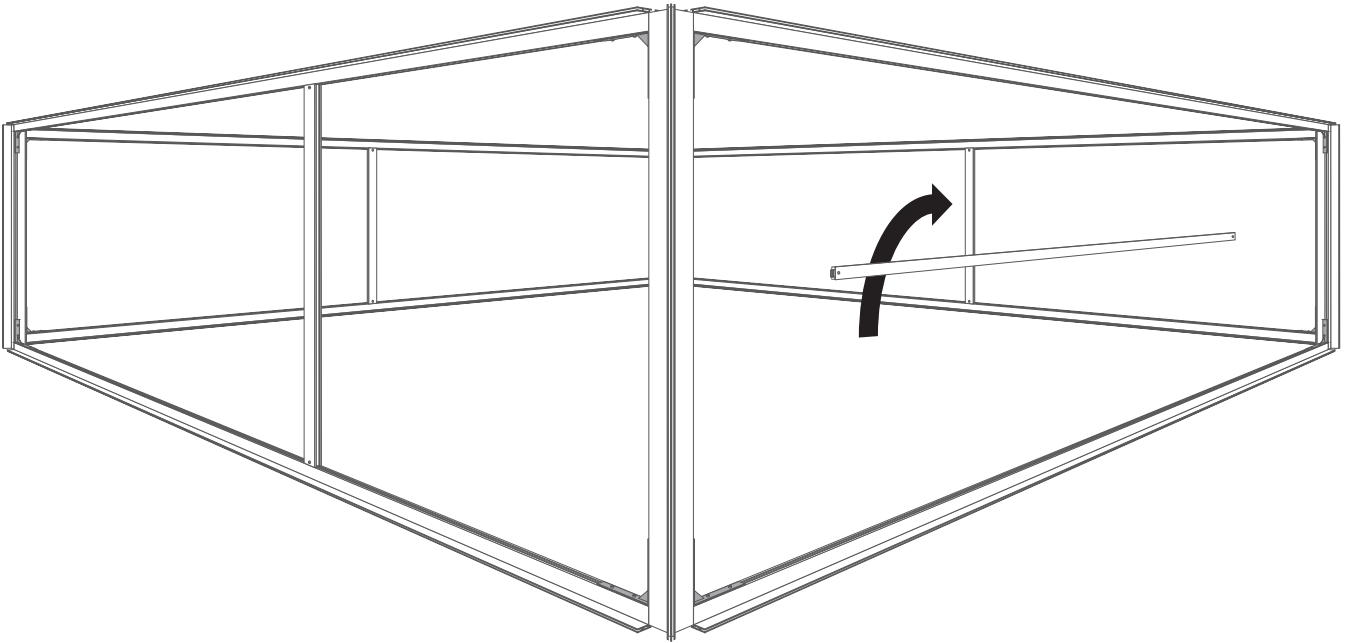
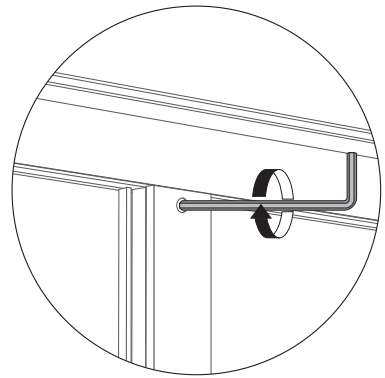
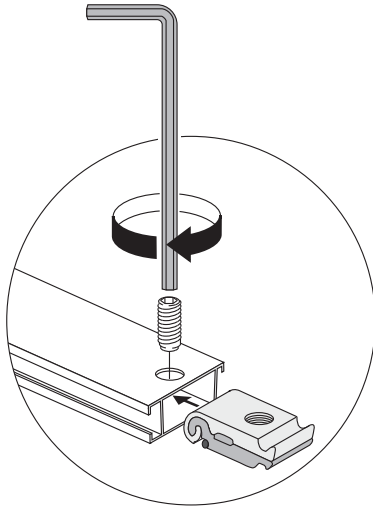
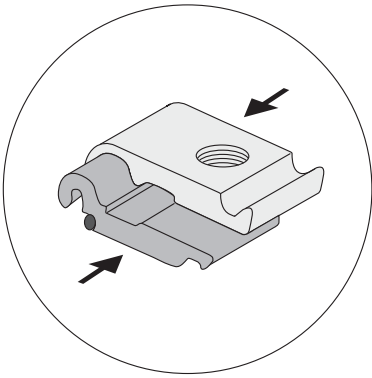
2x



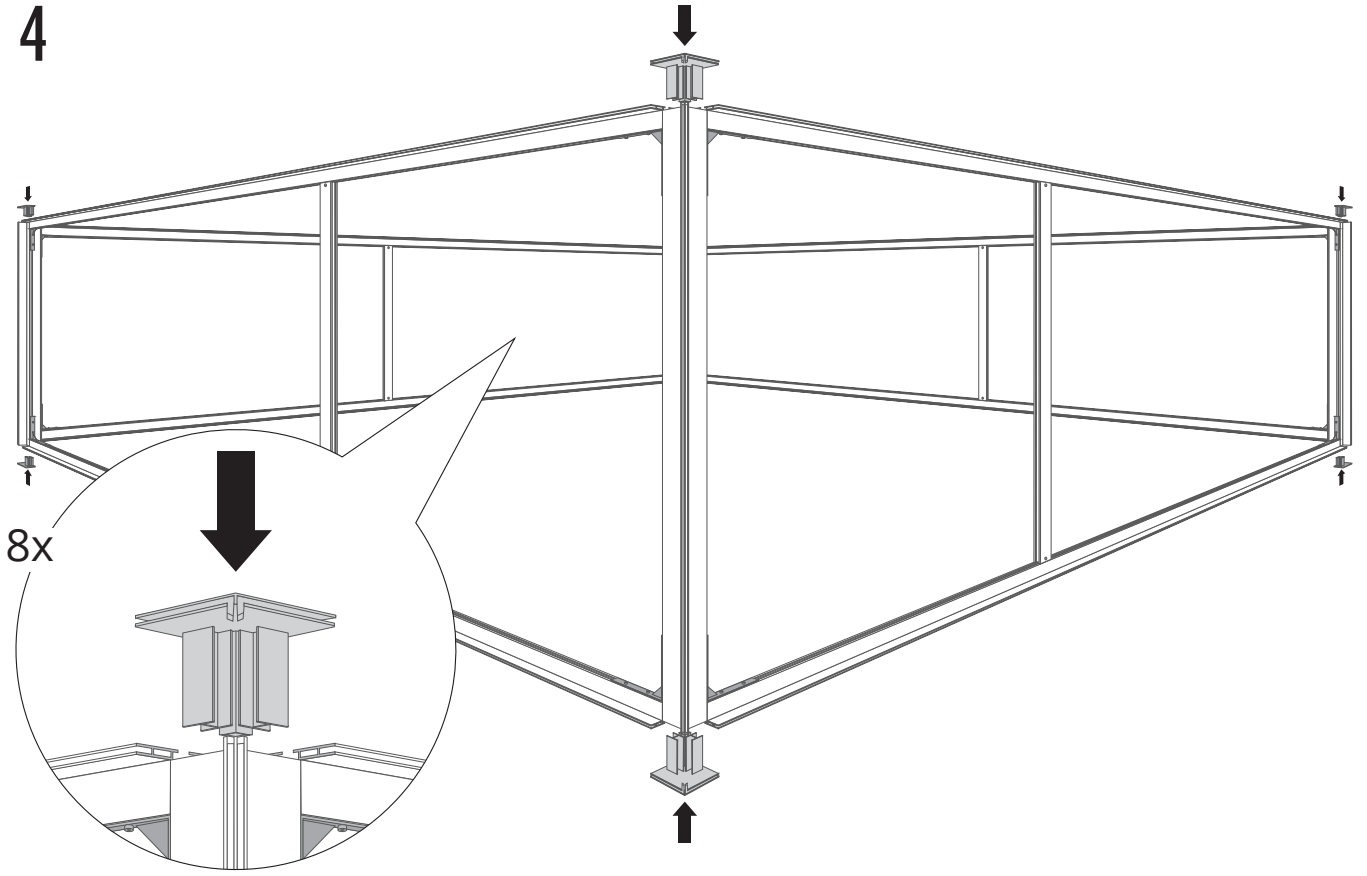
2



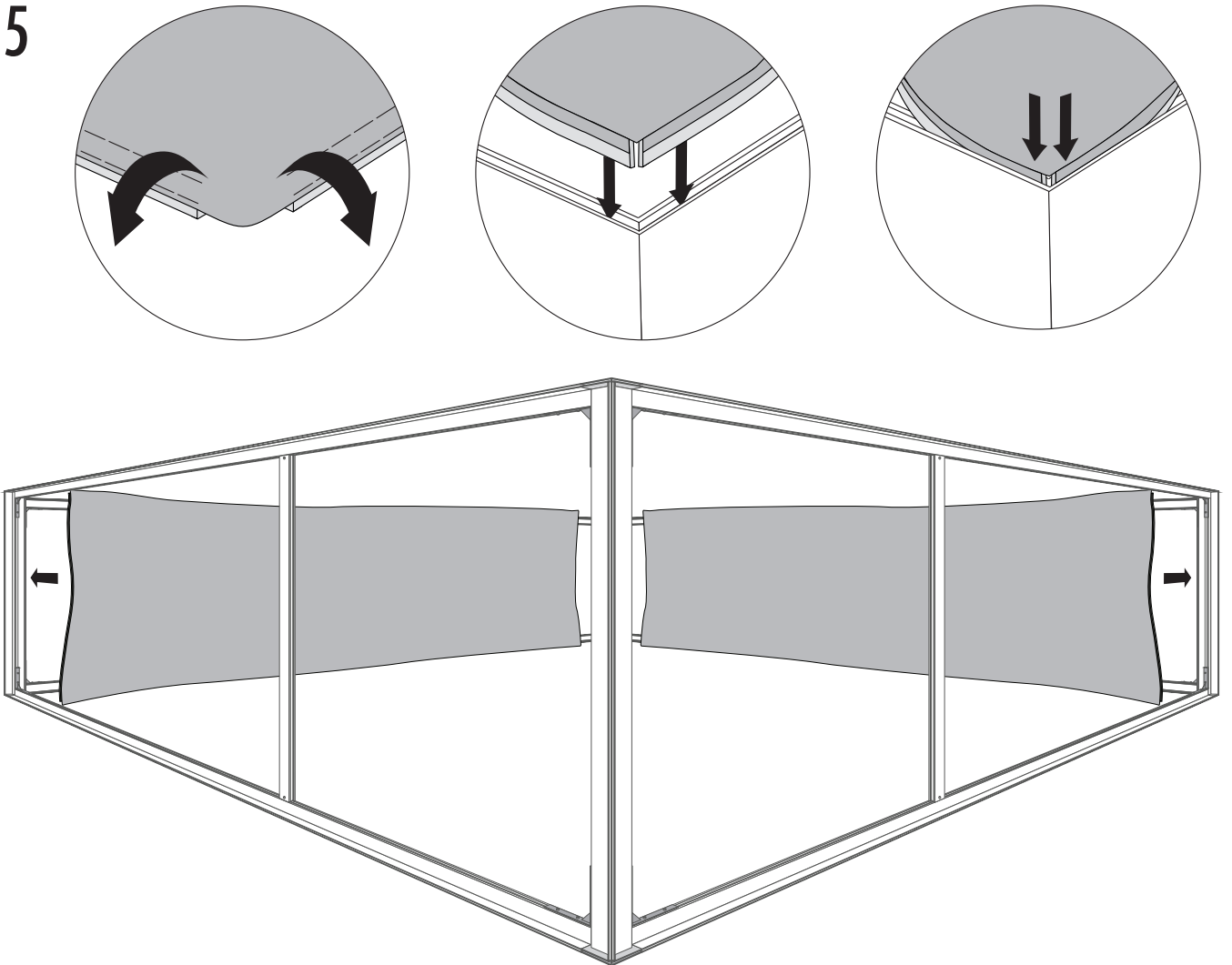
3



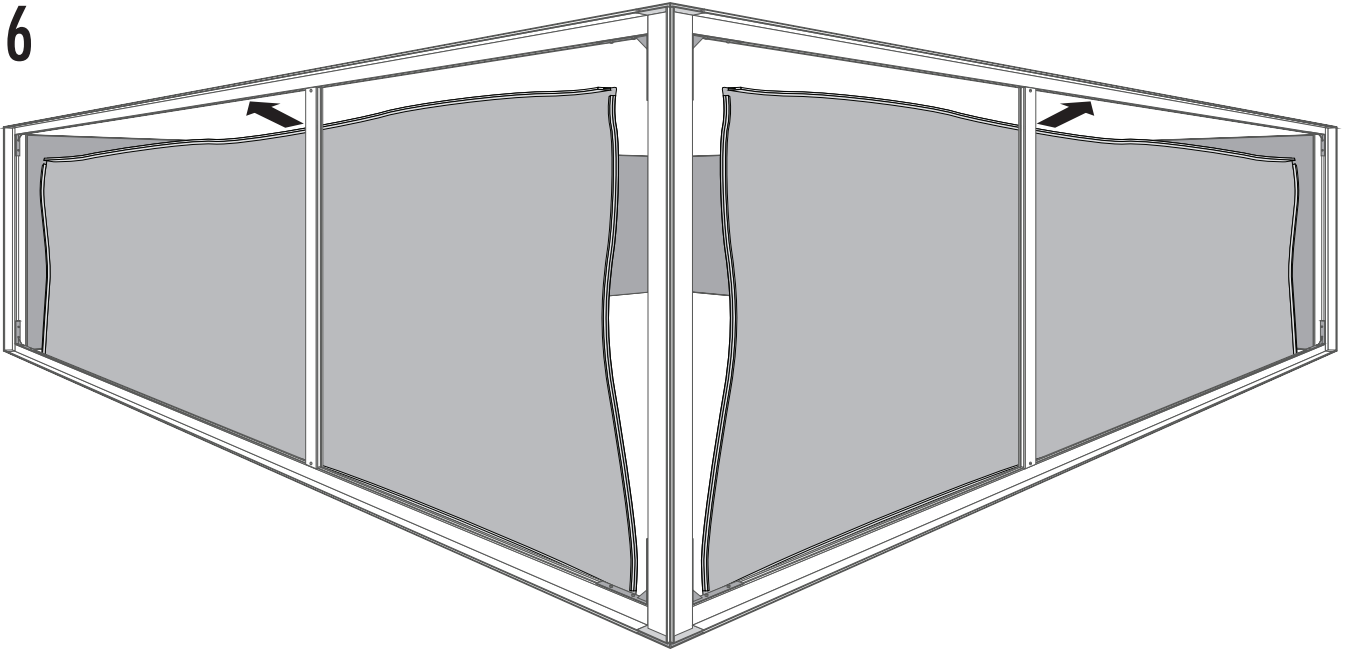
4



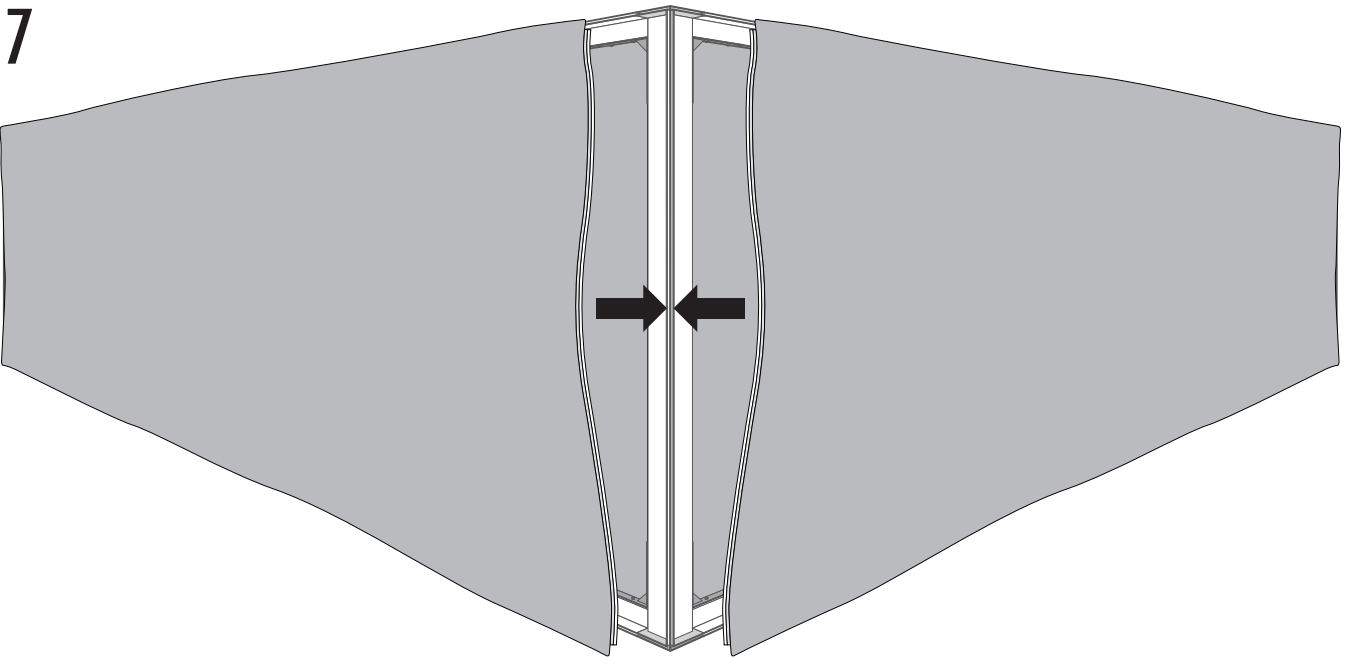
5



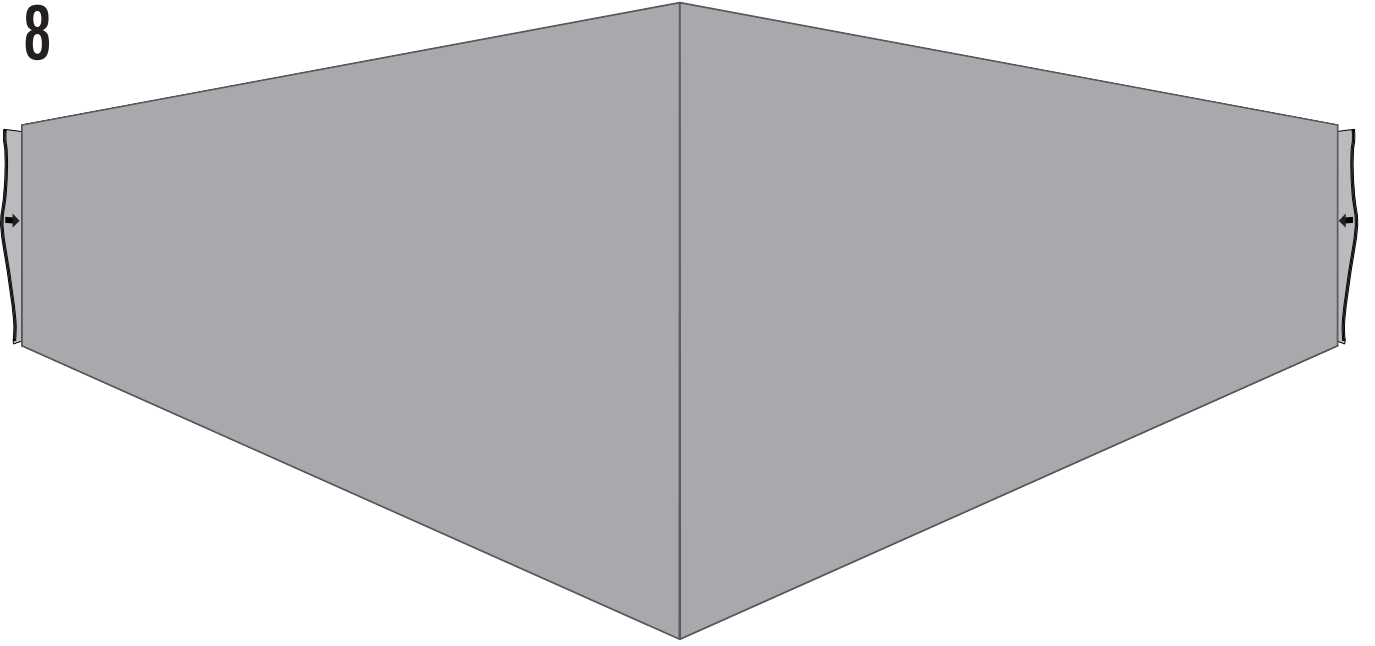
6



7



8



9

